

Technical data sheet



Product features

Bain marie electric GN 1/1 - 200 without cabinet

Model	SAP Code	00018585
--------------	-----------------	----------



- Water inlet: automatic valve operated by button
- Drain type: On the front panel
- Drain: Yes
- Safety drain: Yes
- Material: AISI 304 top plate, AISI 430 cladding
- Protection of controls: IPX4
- Maximum device temperature [°C]: 90

SAP Code	00018585	Power electric [kW]	1.600
Net Width [mm]	400	Loading	230 V / 1N - 50 Hz
Net Depth [mm]	700	Number of GN / EN	1
Net Height [mm]	330	GN / EN size in device	GN 1/1
Net Weight [kg]	15.00	GN device depth	200

Technical data sheet



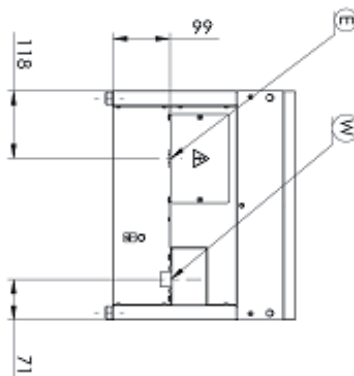
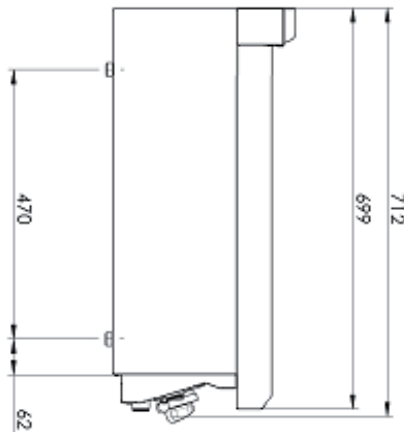
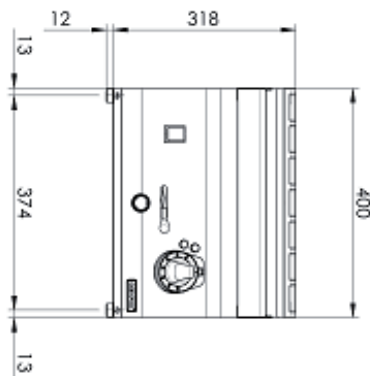
Technical drawing

Bain marie electric GN 1/1 - 200 without cabinet

Model

SAP Code

00018585



Technical data sheet



Technical parameters

Bain marie electric GN 1/1 - 200 without cabinet

Model	SAP Code	00018585
--------------	-----------------	----------

1. SAP Code:

00018585

2. Net Width [mm]:

400

3. Net Depth [mm]:

700

4. Net Height [mm]:

330

5. Net Weight [kg]:

15.00

6. Gross Width [mm]:

460

7. Gross depth [mm]:

820

8. Gross Height [mm]:

494

9. Gross Weight [kg]:

20.00

10. Device type:

Electric unit

11. Construction type of device:

Table top

12. Power electric [kW]:

1.600

13. Loading:

230 V / 1N - 50 Hz

14. Protection of controls:

IPX4

15. Material:

AISI 304 top plate, AISI 430 cladding

16. Indicators:

operation and warm-up

17. Worktop material:

AISI 304

18. Worktop Thickness [mm]:

1.20

19. Maximum device temperature [°C]:

90

20. Minimum device temperature [°C]:

30

21. Safety element:

safety valve against accidental release

22. Adjustable feet:

Yes

23. Number of basins:

1

24. Basin material:

AISI 304 - High quality stainless steel

25. Heating element construction:

Heating element under the bottom of the tub

26. Water inlet:

automatic valve operated by button

27. Drain type:

On the front panel

28. Drain:

Yes

Technical data sheet



Technical parameters

Bain marie electric GN 1/1 - 200 without cabinet

Model

SAP Code

00018585

29. Safety drain:

Yes

32. GN device depth:

200

30. Number of GN / EN:

1

33. Cross-section of conductors CU [mm²]:

0,5

- Výkon (kW): 2,4-3,3 (230 V)

31. GN / EN size in device:

GN 1/1